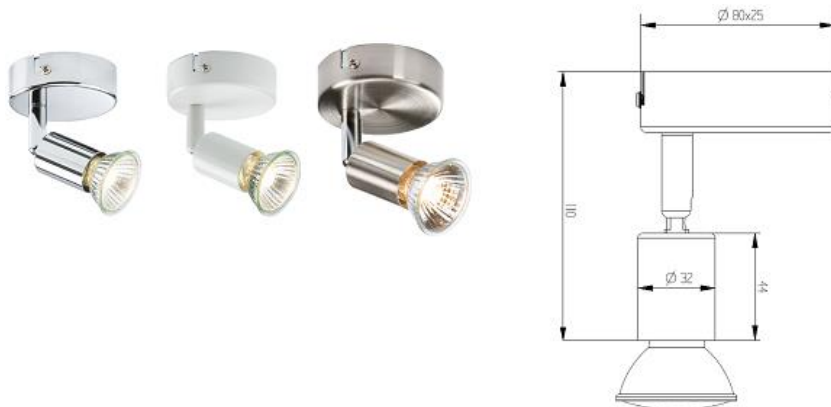


230V GU10 SINGLE SPOTLIGHT



MLA part code	NSPGU1BC	NSPGU1W	NSPGU1C
Description	230V GU10 SINGLE SPOTLIGHT		
Weight (kg)	0.20	0.20	0.20
Finish	Brushed Chrome	White	Chrome
Construction body	Steel		
Class	Class I, Must be Earthed		
Lamp Base	GU10		
Overall dimensions (mm)	Projection - 110mm Base Diameter - 80mm	Projection - 110mm Base Diameter - 80mm	Projection - 110mm Base Diameter - 80mm
IP rating	IP20		
Input voltage	Mains 230V 50Hz		
Max watts (W)	50		
Origin of Manufacture	China		
Warranty	1 Year		
Dimmable	Dependant on lamp		
Quality assurance system	ISO9001		
Declaration of Conformity (held on file)	Yes		
Manufactured in accordance with	BS EN60598		

